

Tiny T01P/T01E User Guide

SETUP

■ Packing list

- T01P/T01E Pickup
- Tiny Amplifier(option)
- 9V Battery Bag
- 4 Buckles
- 1 Manual
- 4 Ribbons

■ Essential tools

- Phillips screwdriver
- Hand drill
- traction thin wire
- 3mm drill
- 12mm drill
- Vise
- Clean and dry rag

■ Inside installation diagram of Guitar:

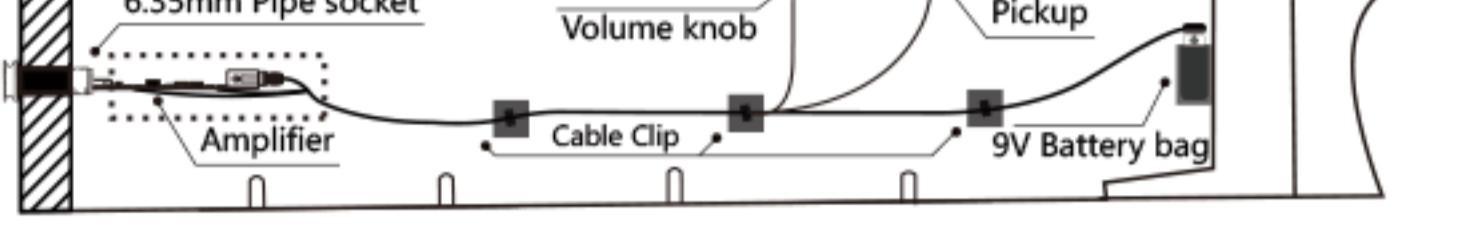


Fig.1

■ installation steps:

• Making pipe socket mounting holes

1. There is a strap buckle on the tail of the guitar. Use a Phillips or flat-blade screwdriver to loosen the tail strap buckle screw and remove it. Then use a 3mm drill bit to drill the guitar through the buckle hole of the strap, and then use a 12mm drill bit to expand the hole. When drilling, pay attention to slowly and repeatedly drilling slowly, and the drill bit should be perpendicular to the guitar panel, cut Do not use a 12mm drill bit to quickly turn to the bottom panel at one time to avoid scratching the guitar panel with too much force.
2. There is no strap buckle on the tail of the guitar, so find a suitable place on the tail of the guitar, first drill a small hole with a 3mm drill bit, drill through the inside of the guitar, and then use a 12mm drill to ream the 3mm hole. The operation method and precautions are the same.
3. After the above steps, the mounting holes of the front socket of the pickup are completed.

• Install the amplifier

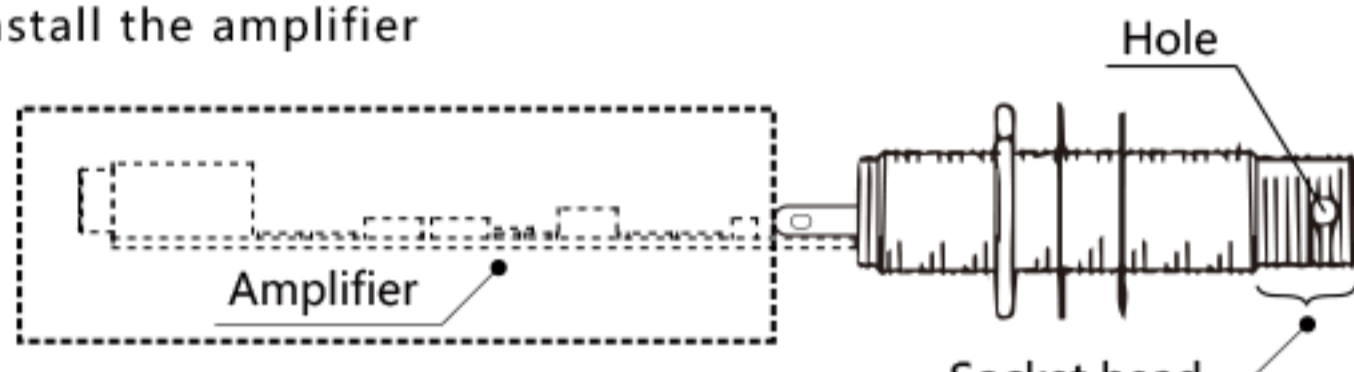


Fig.2

1. Install the front socket of the pickup by traction. First use a lead to drill through the hole drilled at the end of the guitar, and then exit from the sound hole. A small round hole with a lead tied to the head of the socket is passed through the lead. Enter a 12mm drill hole and pierce through the tail of the guitar to expose the head. The operation diagram is shown in Figure 3.

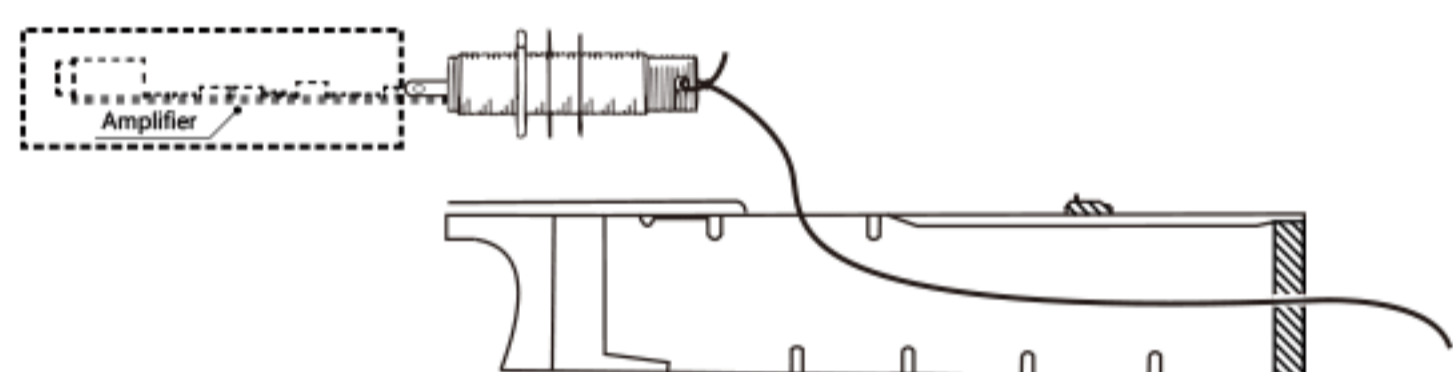


Fig.3

2. Fixed pickup front stage. Expose the head nail tube socket on the front of the pickup to the head. The exposed head should be higher than the guitar panel. The exposed part should not be too long or too short. The length should be equal to the length of the 6th nut in Figure 4. After that, first tighten the No. 4, 5 and 6 washers and nuts, then put your hand inside the guitar, tighten the 1, 2, 3 washers and nuts, the correct installation sequence of the washers and nuts should be as shown in Figure 4 As shown, the front stage of the pickup is now installed.

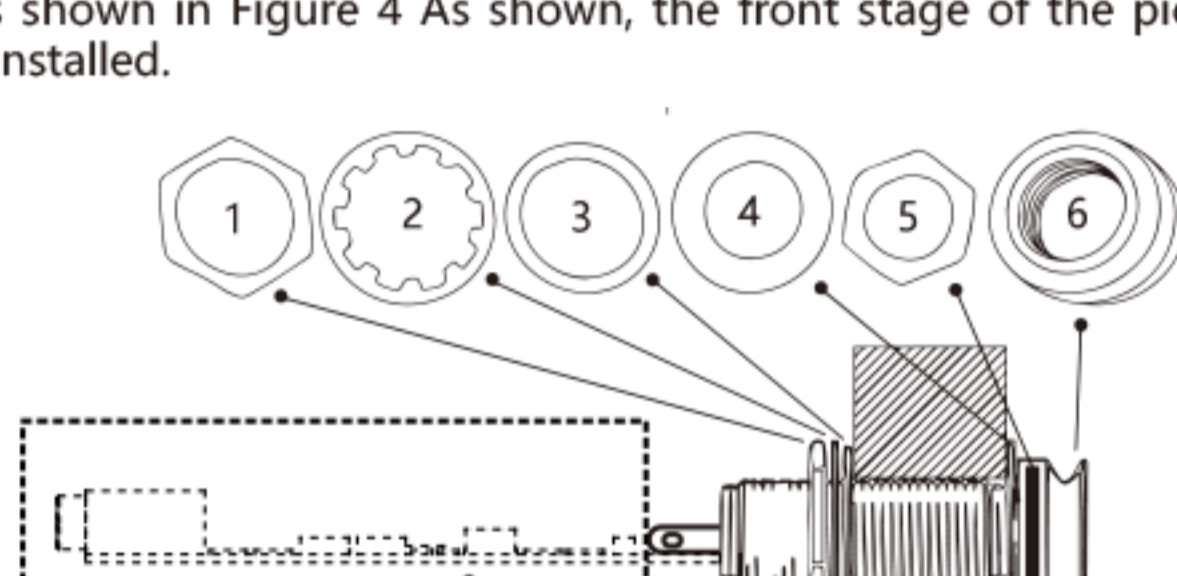


Fig.4

3. After the above steps, the pre-stage of the Tiny pickup is installed. The next step is to reasonably arrange and fix the internal wiring of the pickup. First, insert the 3.5mm plug of the main body of the Tiny pickup into the 3.5mm socket of the front stud, and place the battery pack inside the guitar. The tiny pickup volume control knob is placed near the sound hole. Put your hand into the sound hole, drag the three wires of the tiny pickup line, the sound control knob line, and the battery power line together at the same time, snap the three wire abutments, and touch the left side of the guitar waist, slowly move the abutment position to find the most After fixing the position, remove the adhesive tape sticker and fix it on the wooden board. Then separate the wire harness separately according to the placement of each component with a wire buckle. If a lead is too long, you can add a few more wires to this wire to fix it. The optimal fixing position is adjusted according to your actual situation. As shown in Figure 5, the general wiring is as follows. When sticking the wire clasp, first gently scrape off the wire back adhesive sticker with the thumb, and then stick it on the back side plate. Press the wire clinch to make the adhesive and the wooden board fully fit. (It is best to use a rag to clean the dust on the sticking surface of the wooden board before pasting, and the thread buckle adhesive is best roasted with a lighter before tearing it.

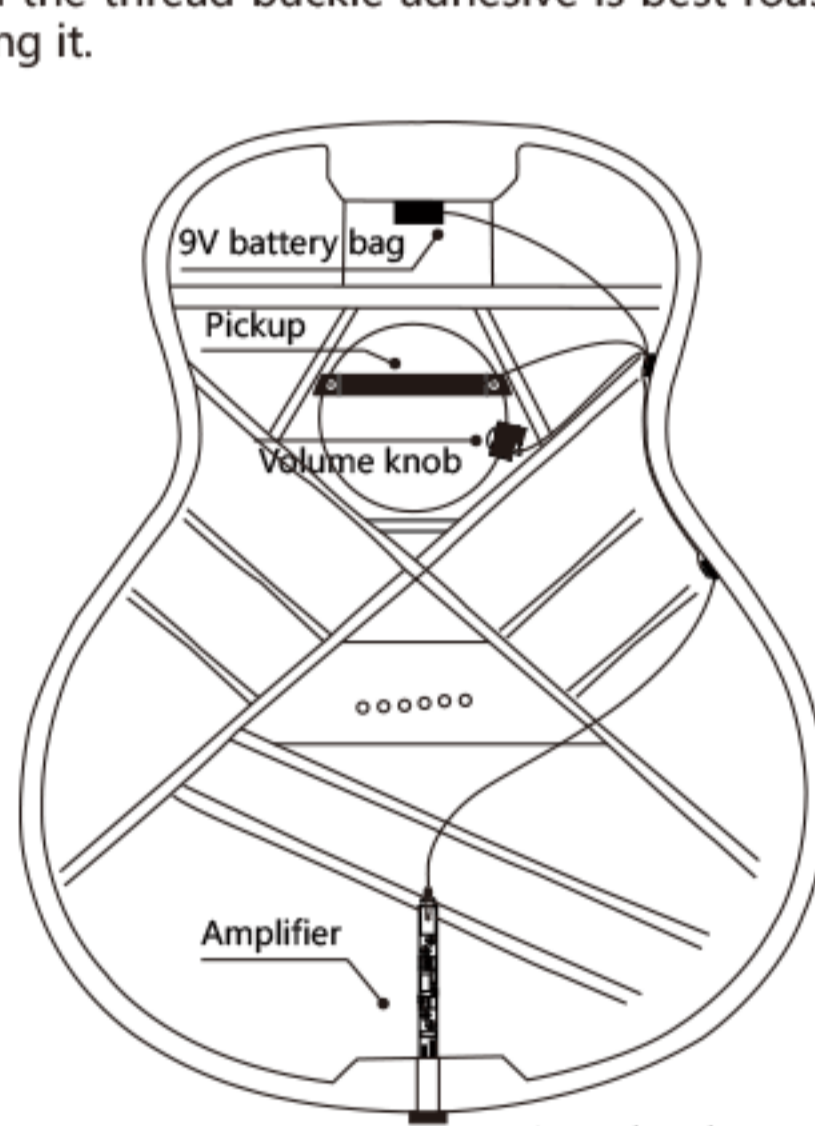


Fig.5

4. After fixing the internal wiring, clean the wire buckle adhesive sticker inside the guitar. Take out the battery bag, install the 9V battery, put the battery bag back inside the guitar and fix it. Note that the battery's positive and negative poles must not be reversed, and the battery may be burnt for more than 10 seconds.

5. After the battery is installed, fix the main body of the Tiny pickup solenoid coil, the volume control knob as shown in Figure 6, and tighten the pickup screw with a cross. Do not twist the screw too tightly to avoid damaging the guitar panel.

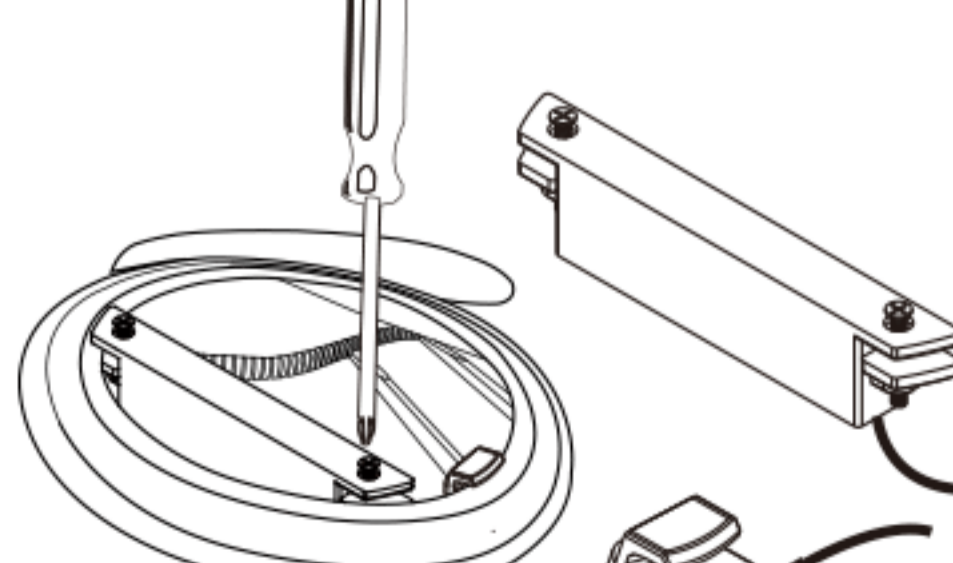


Fig.6

6. After the Tiny pickup is installed, reinstall all strings, tighten the strings, adjust to the standard sound, plug in the guitar cable and guitar sound, power on, turn the strings, adjust the volume knob, and listen to the sound if there is sound Whether the pickup is working properly.

